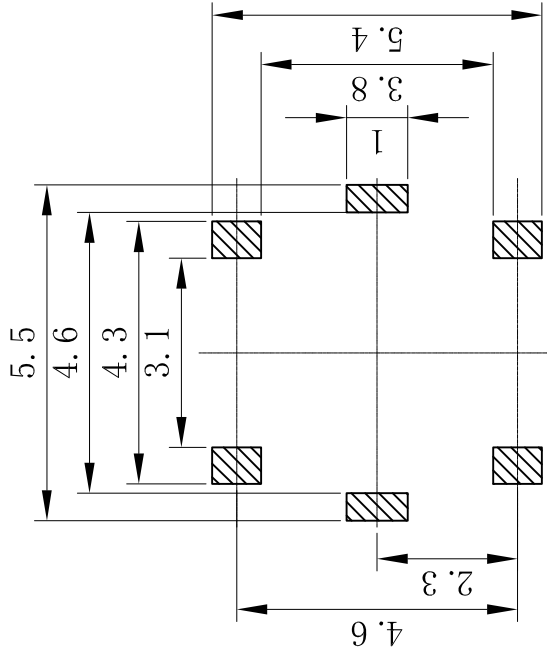
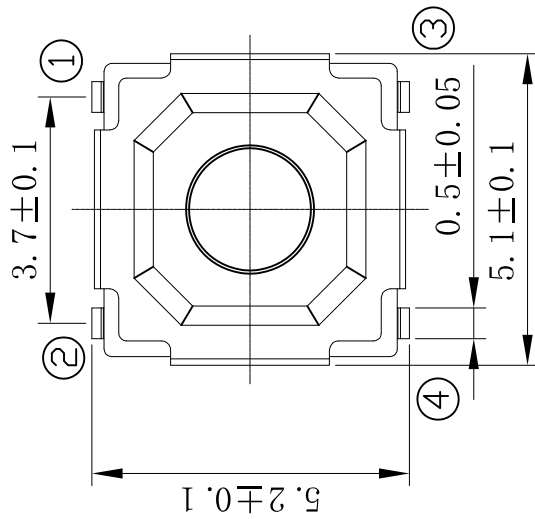
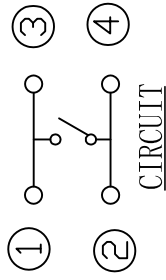
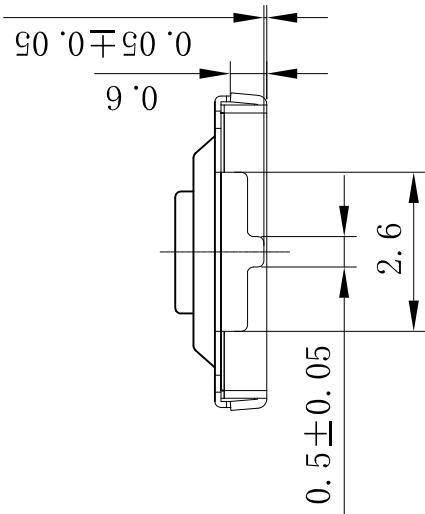
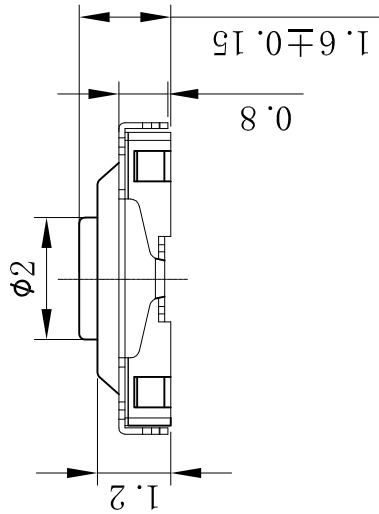


6	Stem	Brass
5	Cover	SUS 304
4	Film	PL
3	Contact	Ag-SUS 301 Plating:Ag 0.5μmin.
2	Case	PPA
1	Terminal	Brass Plating:Ag 0.3μmin.
NO.	PART NAME	MATERIAL NAME
		REMARKS



P.C.B. LAYOUT

Rating	12VDC 50mA
Contact Resistance	100mΩ Max
Insulation Resistance	50MΩ Min
Dielectric Voltage	250VAC 60±5S
Endurance	1,000,000 cycles
Pre-travel	0.25±0.15mm
Operation force	100±30 gf
Free Position	H=1.6±0.15mm

 浙江長風電子有限公司 Zhejiang Changfeng Electronics Co., Ltd.		SCALE	5:1	TOLERANCE		UNIT	mm
		SHEET	1/1	x. ±0.5	ANGLES	DRAWN	
REV.	A0	x. ±0.3	x.° ±2°	CHECKED			
PROJ.		.xx ±0.1	.x° ±1°	APPROVED	DATE		
MARK. REV.				REVISION	NOTE		
				TITLE	TACT SWITCH		
				MODEL	TS52. 015Y. S1G10D		