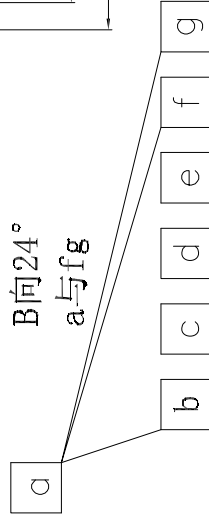
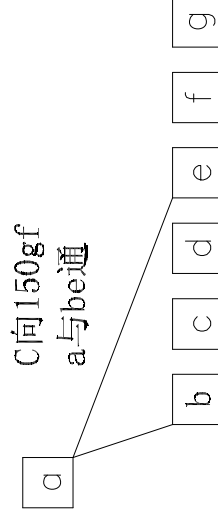


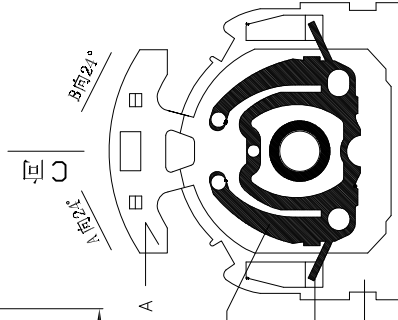
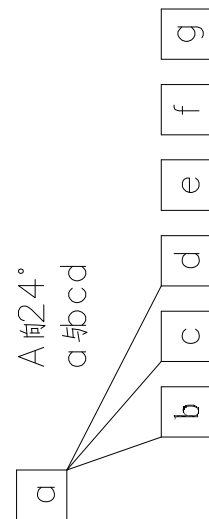
B向24°
a与fg



C向150gf
a与be通道



A向24°
a与bcd

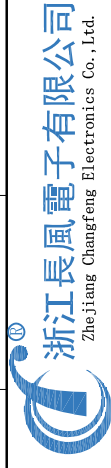


项 目 标 准

| | | |
|------|------------------------|----------------------|
| 额定电流 | Rated Current: | 0.1A MAX |
| 额定电压 | Rated voltage: | DC 12V |
| 接触电阻 | Contact resistance: | ≤100mΩ |
| 绝缘电阻 | Insulation Resistance: | ≥100MΩ |
| 耐压强度 | Compressive strength: | AC110V 50Hz/1 m |
| 操作力度 | Operating force: | 2-100±50gf 200 ±50gf |
| 机械寿命 | Mechanical life: | 10,000 cycles Min |
| 操作行程 | Operation Stroke: | 0.85±0.2mm |
| 温度范围 | Temperature Range: | -30°C ~ +85°C |

| | | | | | |
|---|-------|---|--------|------|-----|
| E | 弹簧 | 1 | SUS301 | / | 银白色 |
| D | 接触簧片 | 1 | 复银铜 | / | 银白色 |
| C | 盖板 | 1 | SUS301 | 整体清洗 | 银白色 |
| B | 底座/基座 | 1 | PA46 | / | 黑色 |
| A | 桃心 | 1 | PA46 | / | 黑色 |

| NO. | 零件名称 | Part Name | QTY | 材料 | Material | 镀涂 | Plating coating | 颜色 | colour | 备注 | Remarks |
|-----|------|-----------|-----|----------|----------|-------|-----------------|----|--------|-------|----------------|
| | | | | | | | | | | | |
| | | | mm | x. ±0.5 | ANGLES | SHEET | 1/1 | | | TITLE | 拨轮开关 |
| | | | | .x ±0.3 | x.* ±2° | REV. | A0 | | | MODEL | CF. LY. K2. 02 |
| | | | | .xx ±0.1 | .x.* ±1° | PROJ. | | | | | |



MARK. REV. DATE REVISION NOTE