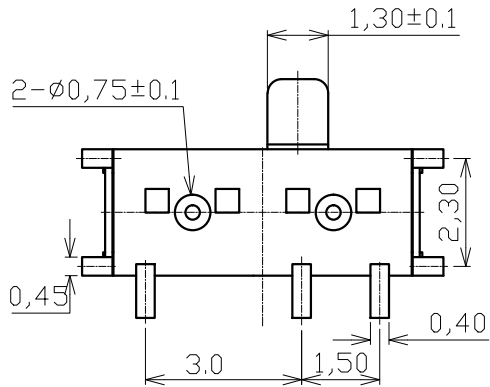
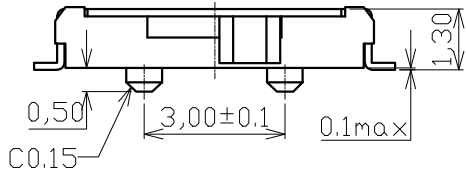
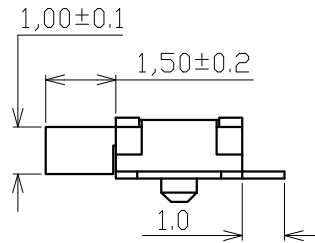
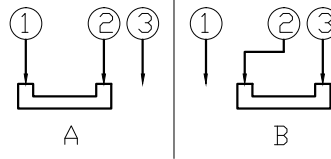


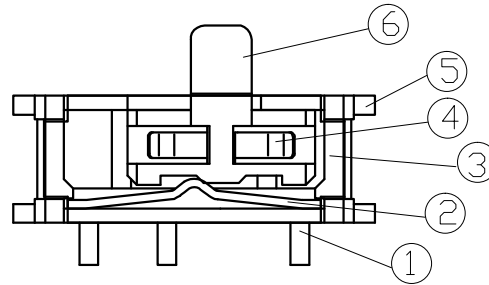
1.60 ± 0.1 Travel



SCHEMATIC



without cover



1. Material list

ITEM	DESCRIPTION	MATERIAL
1	Terminal	C5191
2	Anchor	SUS
3	Base	LCP<BLACK>
4	Spring	C17200
5	Cover	C5191
6	pushing handle	PA6T<White>

2. CHARACTERISTICS

Operating Force	$130 \pm 50 \text{ gf}$
Pre travel	$1.6 \pm 0.1 \text{ mm}$
Resistance	500 @ max
Life	$10,000 \text{ cycles}$
Rating	$6 \text{ V DC } 0.3 \text{ A (MAX)}$
Flatness	0.1 max

