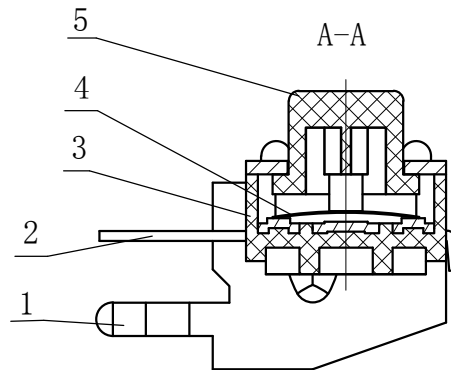
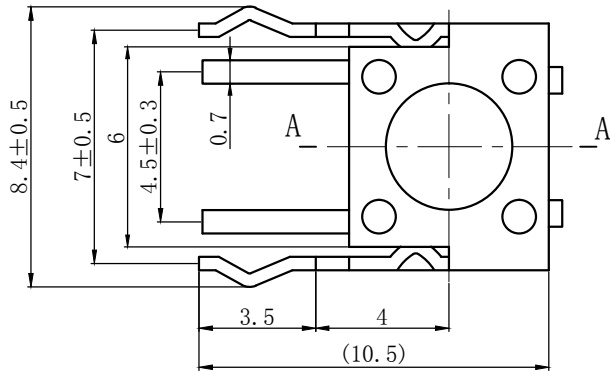
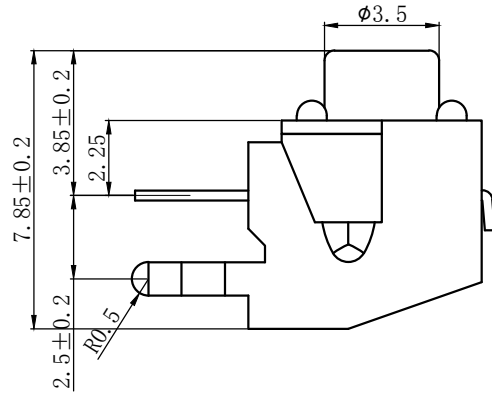
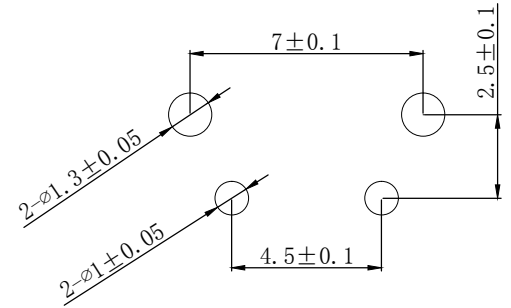


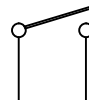
| ITEM | PART NAME | MATERIAL | COLOR |
|------|-----------|--------------------|-------|
| 1 | 支 架 | SPCC | |
| 2 | 引 脚 | 黄铜带H65Y 0.3mm 表面镀银 | |
| 3 | 基 座 | PA6T | BLACK |
| 4 | 簧 片 | 单面覆银磷铜 | |
| 5 | 按 钮 | 聚碳酸脂 PC | BLACK |
| | | | |



(Tolerance: ±0.1)
(P.C.B thickness t=1.6)



SCHEMATIC



| | |
|--------------------|----------------|
| Operating Force | 160±50gf |
| Release Force | 15gf min |
| Operating Position | 3.6±0.2mm |
| Free Position | 3.85±0.2mm |
| Over travel | 0.1mm min |
| CCP Value | 15% min |
| Endurance | 100,000 cycles |