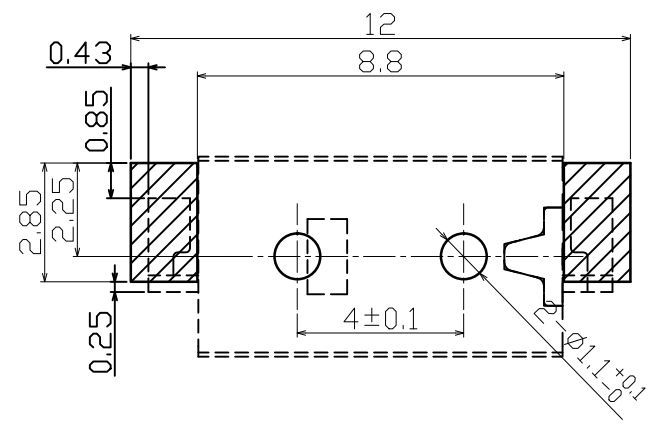
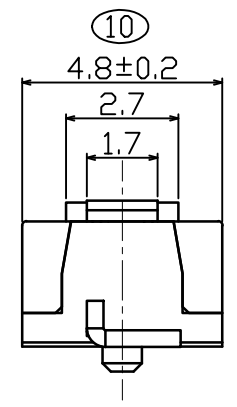
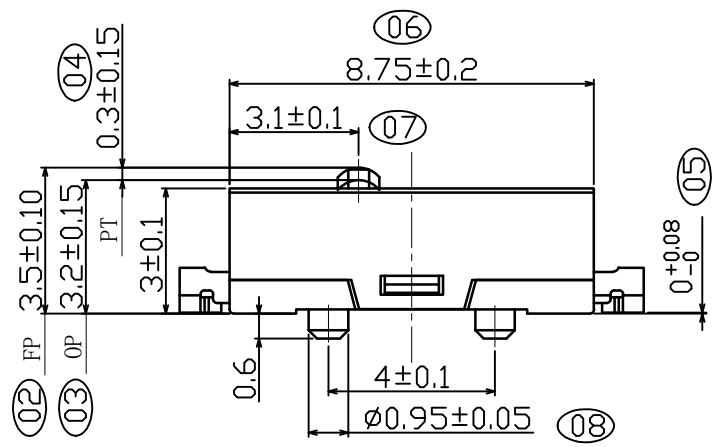


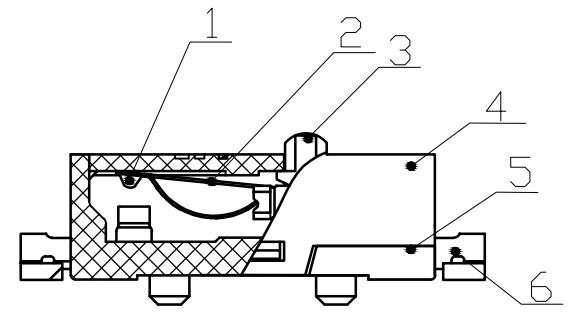
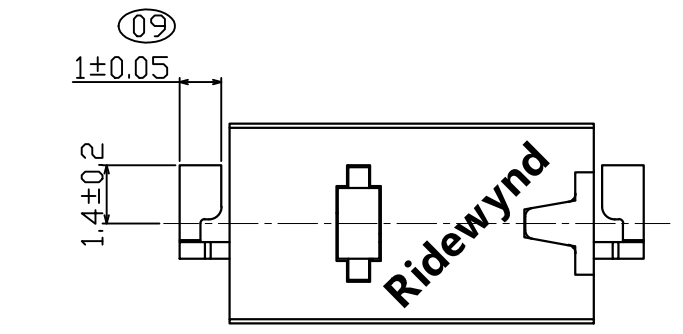
SCHMATIC



ITEM	PART NAME	MATERIAL	COLOR
1	CONTACT	Ag Alloy	
2	MOVABLE PLATE	BERYLLIUM COPPER	
3	BUTTON	PA10T	BLUE
4	COVER	PA	BLACK
5	BASE	LCP	BLACK
6	TERMINAL	SILVER PLATE BRASS	



P.C.B mounting hole detail



11	
Operating Force	60±10gf
Release Force	15gf min
Operating Position	3.20±0.15mm
Free Position	3.50±0.1mm
Pre Travel	0.5 Max
Over Travel	0.1 Min
CCP Value	25% min
Endurance	20,000,000 cycles