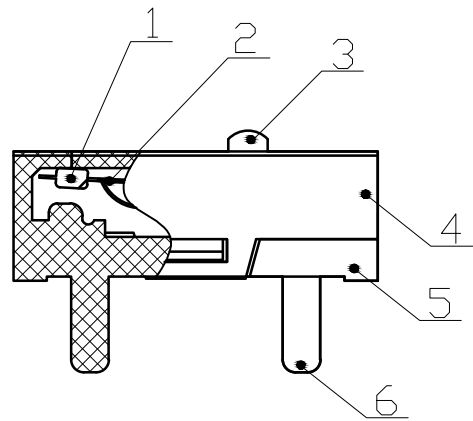
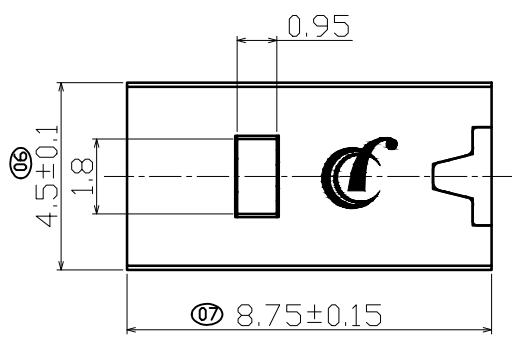
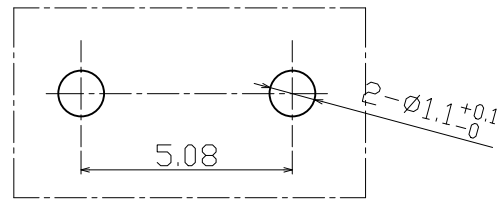
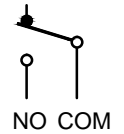


ITEM	PART NAME	MATERIAL	COLOR
1	CONTACT	Ag Alloy	
2	MOVABLE PLATE	SUS	
3	BUTTON	POM	WHITE
4	COVER	PPA	BLACK
5	BASE	LCP	BLACK
6	TERMINAL	SILVER PLATE BRASS	

P.C.B mounting hole detail



SCHEMATIC



⑧	Operating Force	60±10gf (每10gf一段)
	Release Force	20gf min
	Operating Position	3.30±0.15mm
	Free Position	3.60±0.1mm
⑨	Pre Travel	0.3±0.10
⑩	CCP Value	20% min
	Endurance	3,000,000 cycles