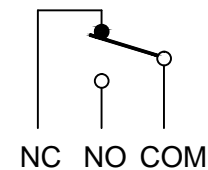
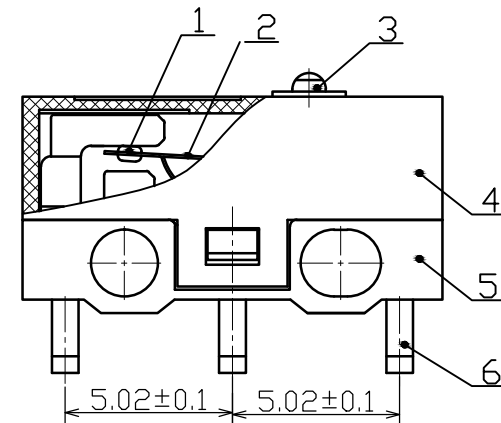


**SCHEMATIC**



ITEM	PART NAME	MATERIAL	COLOR
1	CONTACT	Ag Alloy	
2	MOVABLE PLATE	SUS	
3	BUTTON	POM	BLACK
4	COVER	PBT	BLACK
5	BASE	PBT	BLACK
6	TERMINAL	SILVER PLATE BRASS	



Rating	5VDC 100mA
Contact Resistance	100mΩ Max
Insulation Resistance	50MΩ Min
Dielectric Voltage	250VAC 60±5S
Endurance	5,000,000 cycles
Operating Force	70±10gf
Pre-travel	0.35±0.2mm