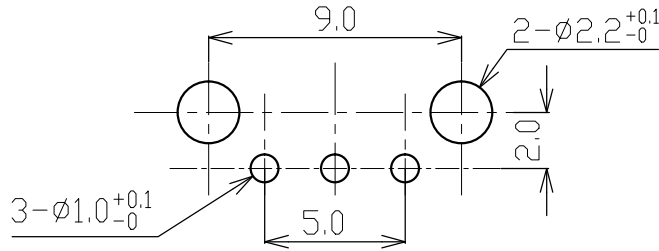


(Tolerance: ± 0.1)
(P.C.B thickness $t=1.6$)

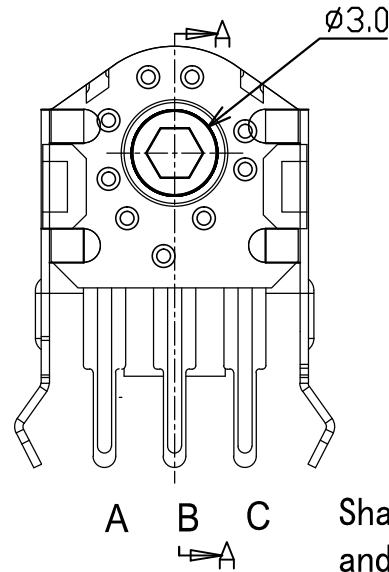
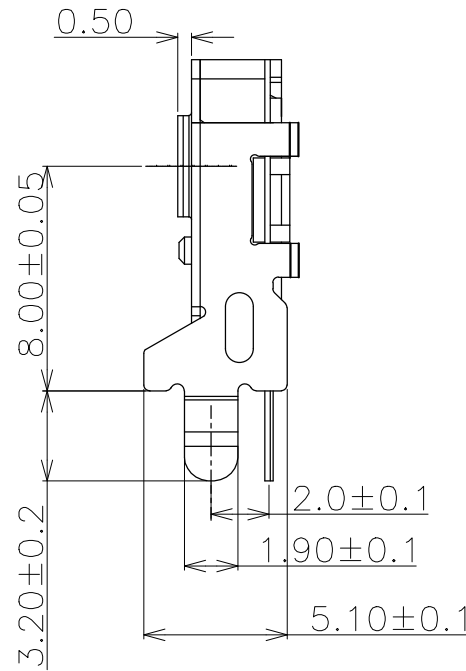
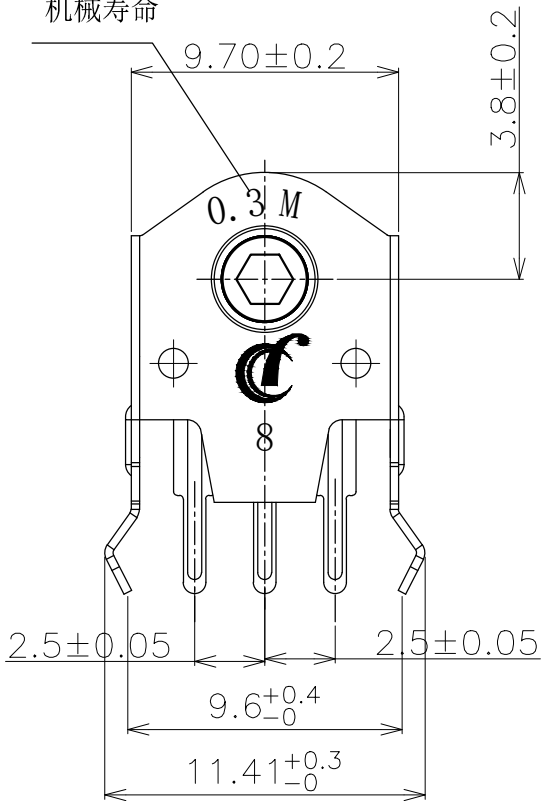


1. Material list

ITEM	DESCRIPTION	MATERIAL
1	Cover	SPCC
2	Anchor Plate	SUS301
3	Wheel gear	POM
4	Spring	C5191
5	Base	PA66
6	Terminal	C2680

Rating	5VDC 100mA
Contact Resistance	500mΩ Max
Insulation Resistance	50MΩ Min
Dielectric Voltage	250VAC 60±5S
Endurance	300,000 cycles
Rotational Force	22-45gf. cm

机械寿命



Shaft hole shape and dimension

