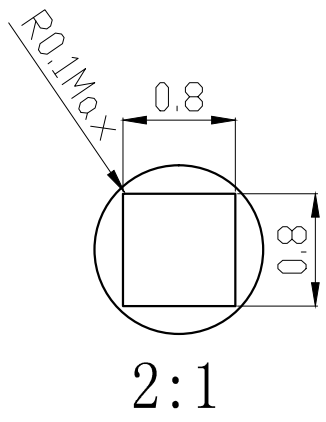
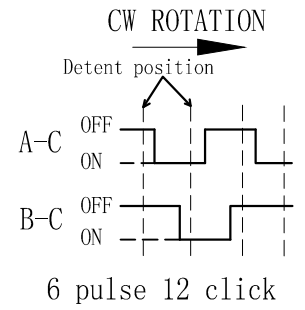
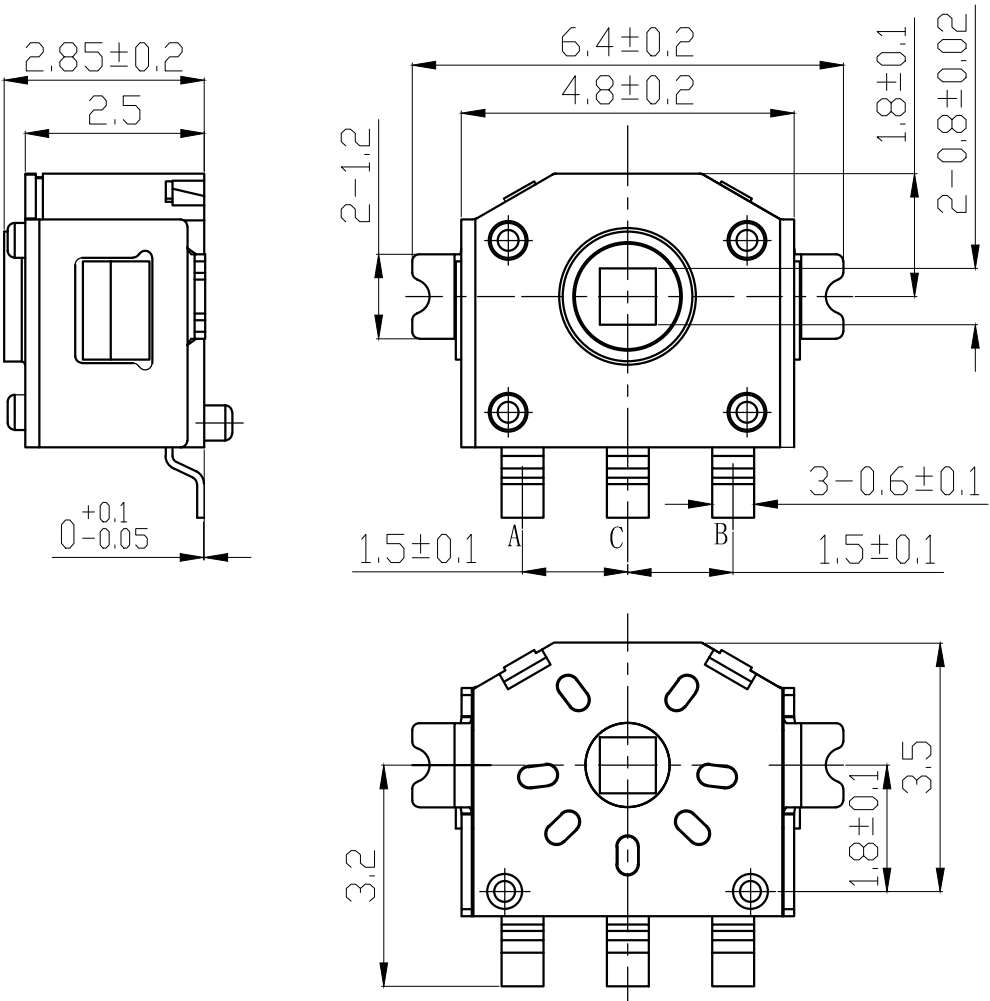


1. Material list

ITEM	DESCRIPTION	MATERIAL
1	Cover	SUS301
2	Anchor Plate	SUS301
3	Wheel gear	PA (Black)
4	Spring	C5191
5	Base	PA (Brown)
6	Terminal	C5210



Rating	5VDC 0.5mA
Contact Resistance	500mΩ Max
Insulation Resistance	10MΩ Min
Dielectric Voltage	50VAC 60±5S
Endurance	100,000 cycles
Rotational Force	12±5 gf.cm

