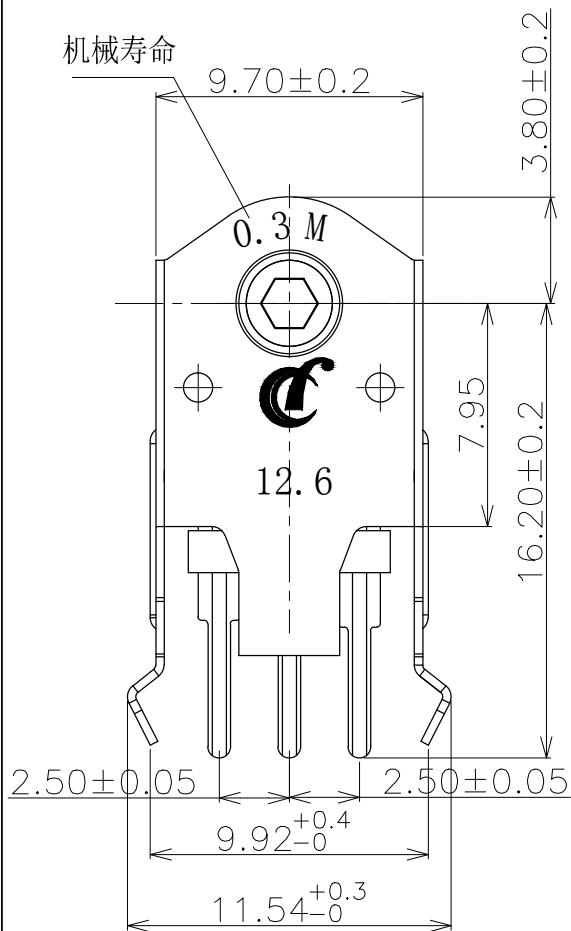
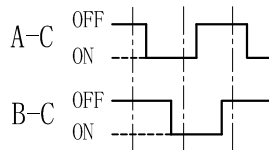


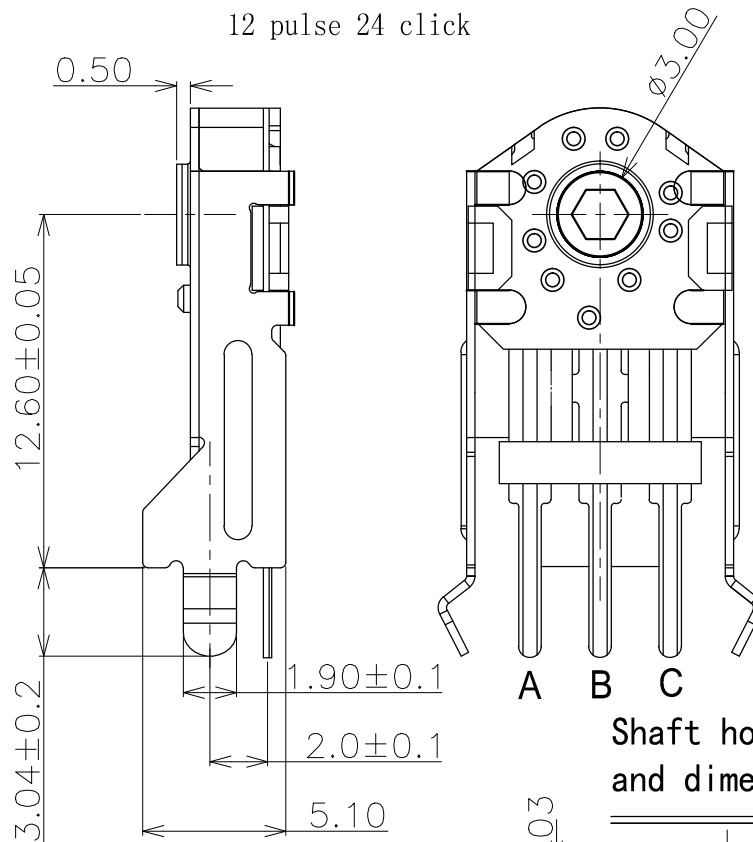
机械寿命



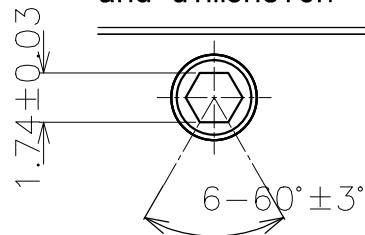
CW ROTATION



12 pulse 24 click

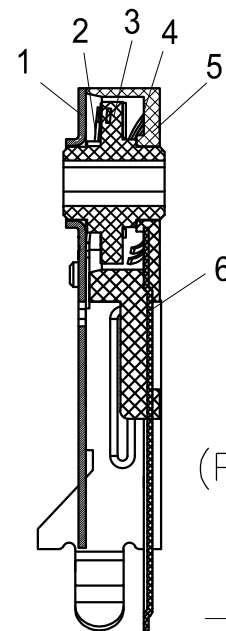


A B C
Shaft hole shape and dimension



1. Material list

ITEM	DESCRIPTION	MATERIAL
1	Cover	SPCC
2	Anchor Plate	SUS301
3	Wheel gear	POM RED
4	Spring	TITANIUM COPPER
5	Base	PA66
6	Terminal	C5191



Rating	5VDC 100mA
Contact Resistance	500mΩ Max
Insulation Resistance	50MΩ Min
Dielectric Voltage	50VAC 60±5S
Endurance	300,000 cycles
Rotational Force	30±10gf. cm

(Tolerance: ±0.1)
(P.C.B thickness t=1.0)

