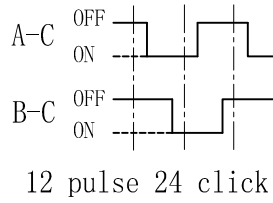
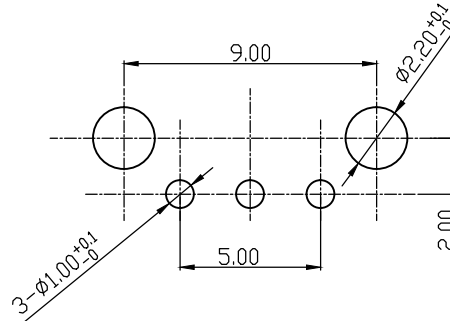


CW ROTATION

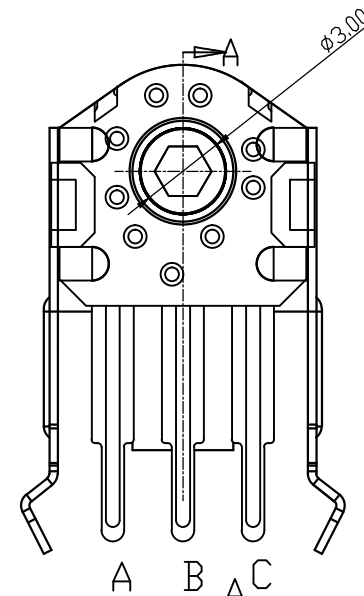
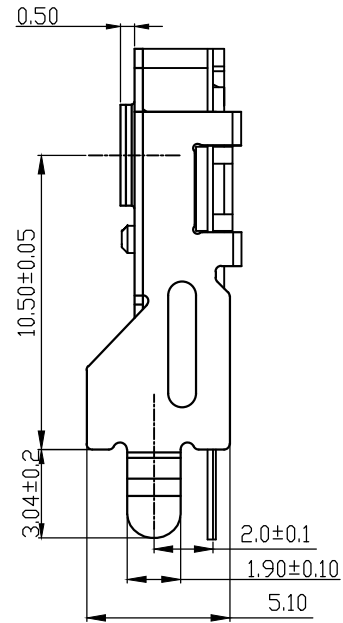
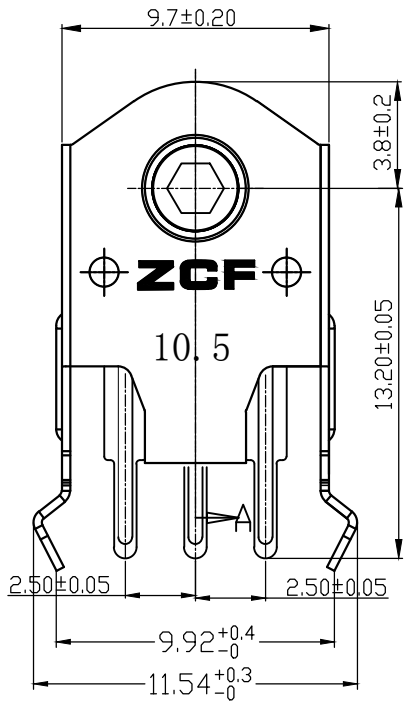


(Tolerance: ± 0.1)
(P.C.B thickness $t=1.0$)

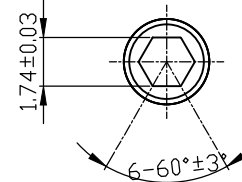


1. Material list

ITEM	DESCRIPTION	MATERIAL
1	Cover	SPCC
2	Anchop rlate	SUS301
3	Wheel gear	PDM
4	Spring	C5191
5	Base	PA66
6	Terminal	C2680



Shaft hole shape and dimension



Rating	5VDC 1mA
Contact Resistance	500m Ω Max
Insulation Resistance	50M Ω Min
Dielectric Voltage	50VAC 60 \pm 5S
Endurance	200,000 cycles
Rotational Force	14 \pm 6 gf.cm

