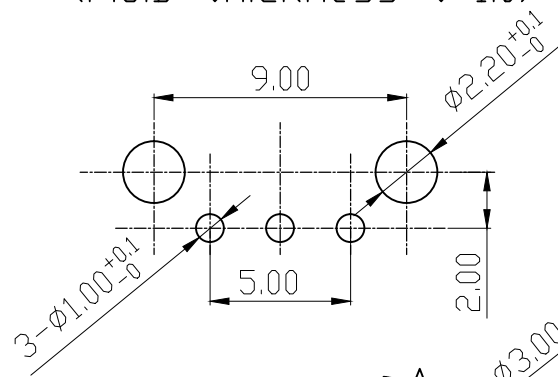


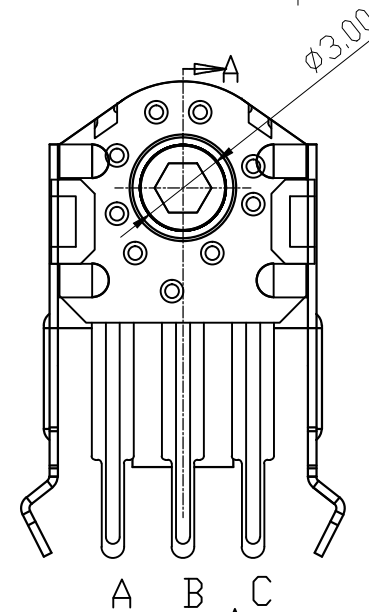
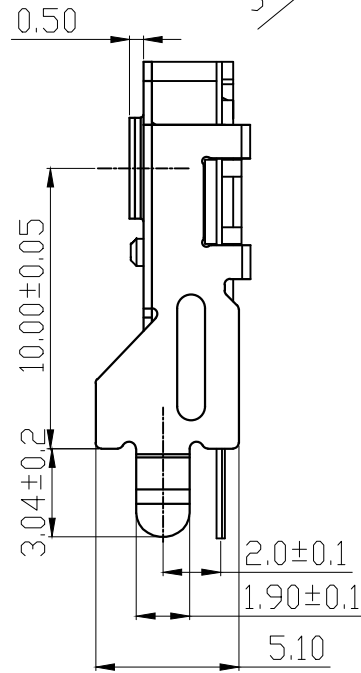
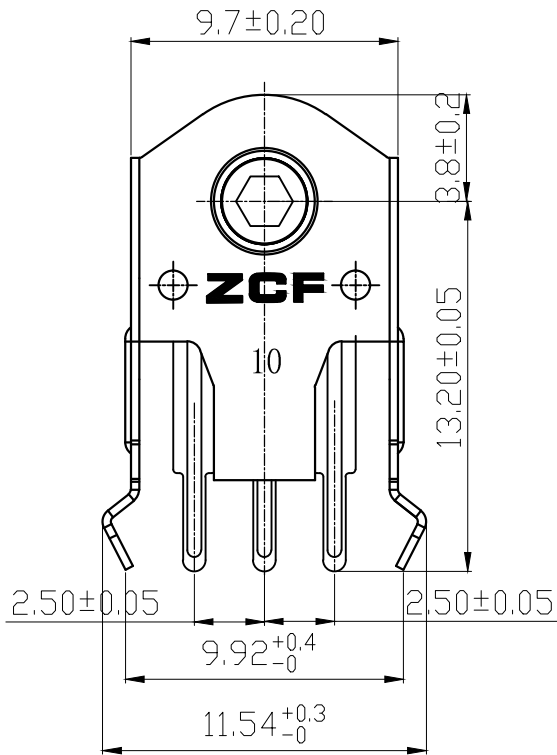
(Tolerance:±0.1)
(P.C.B thickness t=1.0)



1.Material list

ITEM	DESCRIPTION	MATERIAL
1	Cover	SPCC
2	Anchop rlate	SUS301
3	Wheel gear	PDM RED
4	Spring	C5191
5	Base	PA66
6	Terminal	C2680

Rating	5VDC 1mA
Contact Resistance	500mΩ Max
Insulation Resistance	50MΩ Min
Dielectric Voltage	50VAC 60±5S
Endurance	200,000 cycles
Rotational Force	10±5 gf.cm



Shaft hole shape and dimension

