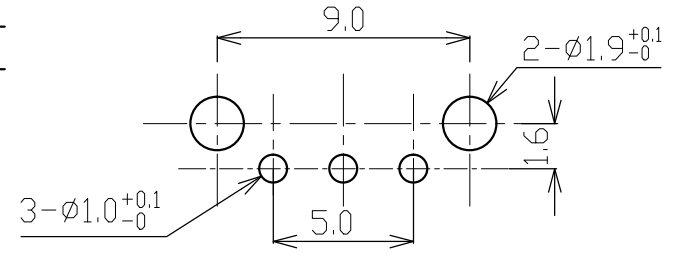


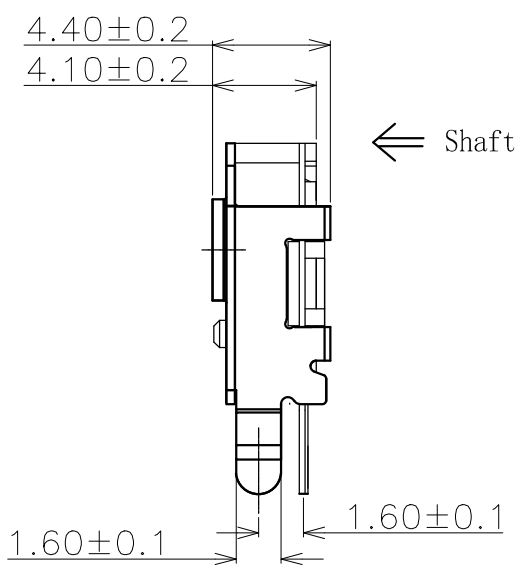
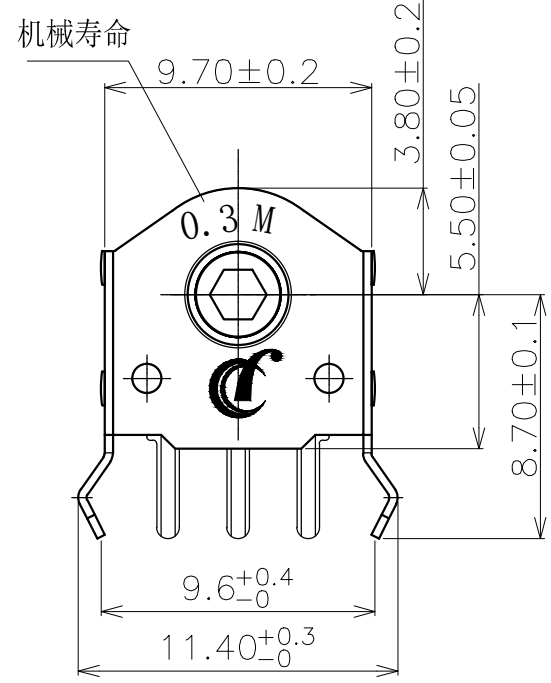
(Tolerance:  $\pm 0.1$ )  
(P.C.B thickness  $t=1.6$ )



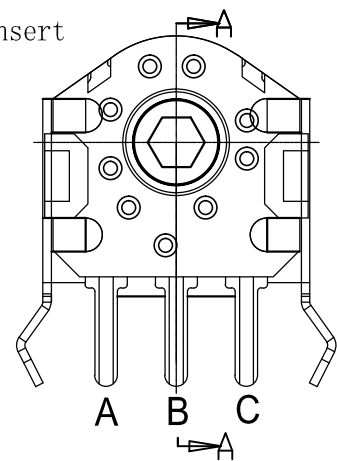
1. Material list

ITEM	DESCRIPTION	MATERIAL
1	Cover	SPCC
2	Anchor Plate	SUS301
3	Wheel gear	PA66
4	Spring	C5191
5	Base	PA66
6	Terminal	C2680

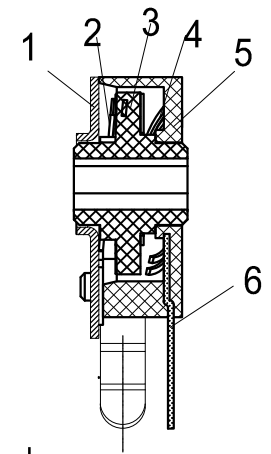
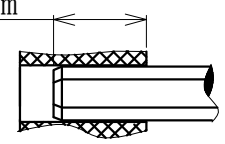
Rating	5VDC 1mA
Contact Resistance	500mΩ Max
Insulation Resistance	50MΩ Min
Dielectric Voltage	250VAC 60±5S
Endurance	300,000 cycles
Rotational Force	20±6 gf.cm



← Shaft insert



Shaft hole position will be at random



Shaft hole shape and dimension

